



Gas-Air-Steam Flow Quick Release Couplings Technical Specifications

Coupling Quick Release Technical Specification BALL CHECK VALVE HIC Manufactured

Universal Quick Release Couplings (Q.R.C.) ensures instant, positive and leak-proof connections in services such as compressed air flow, hydraulic fluids, flow control, liquids, phosphoric acid, liquid ammonia, refrigeration, steam, vacuum, various gases, water flow and other applications, in a way, check valve Quick Coupling **body** is made from carbon steel chrome plated/brass/Stainless Steel 304 or 316, spring of SS304 / SS316, ball of steel / SS304 / SS316 / S. S. 316L, seal spring of SS304 / SS316, ball of steel / SS304 / SS316 / S.S. 316L, seal material of standard rubber nitrile / silicon / hypalon / neoprene / viton with **end connections** as per requirements, suitable to withstand **working pressure** from 200psi. to 5000psi. and **temperature** from -250C to + 3000C with proper selection of body and seal materials.

Coupling Quick Release CHECK VALVE Product Specification

- QRC-T coupling disconnect quick Through type for industrial application upto 350 bar working pressure in stainless steel SS 304, carbon steel , brass in 1/4" to 2" BSP-NPT thread sizes.
- QRC-VV check valve ISO A-7241 Duo Check stucchi interchangeable for hydraulic application upto 350 bar wp in stainless steel SS 304, SS316, carbon steel in 1/4" to 3" sizes coupler and adaptor sets.



Quick Release Couplings
- Straight Through

- Steam flow quick couplings upto 200 deg C temperature Seal material suggested is Silicon while rubber seal Viton upto 250 deg C high temp. use.
- QRC-HP hydraulic High Pressure couplings Double Shut-off walther usa interchangeable upto 980 bar wp in carbon steel in 1/4" to 3/4" sizes coupler and adaptor sets.
- QRC-JS High Pressure Jack Screw couplings Double Check innerpack american interchangeable upto 735 bar wp in carbon steel in 1/4" to 1/2" sizes coupler and adaptor sets.
- QRC-V Air couplings SV 10 Single Check pneumatic nitto japan interchangeable upto 20 bar wp in carbon steel , SS304 , SS316, brass in 1/4" to 2" sizes coupler and adaptor sets.
- QRC-Snaptite quick disconnect couplings liquid ammonia flow use adflow american interchangeable non-return valve in SS316 , SS304 in 1/4" to 2" sizes coupler and adaptor sets.
- QRC-Push Pull quick connect hydraulic couplings snaptite interchangeable upto 315 bar wp construction vehicles usage in SS304 , brass in 1/4" to 1-1/2" sizes.
- QRC-Trailer Break ISO-5675 agricultural farm equipment couplings upto 345 bar wp in SS304 , brass in 1/4" to 1-1/4" sizes.
- QRC-Poppet Style hose couplings quick disconnect in configuration double shut off, single check, straight through upto 750 bar wp in SS304 , carbon steel, brass, aluminum , SS316 in 1/4" to 6" sizes.

Contact For Quote:

HIC INTERNATIONAL CO. (Industrial Valve Products Quick Coupling Div.)

D-136, Shankar Road, New Delhi - 110060, India

Phone: 91-11-6547 2400, 2874 5120

Fax: 91-11-2874 2791

E-mail : universal@hic-india.com; belts@universaldelhi.org

Website : <http://www.rubber-steel-industrial-products.com>

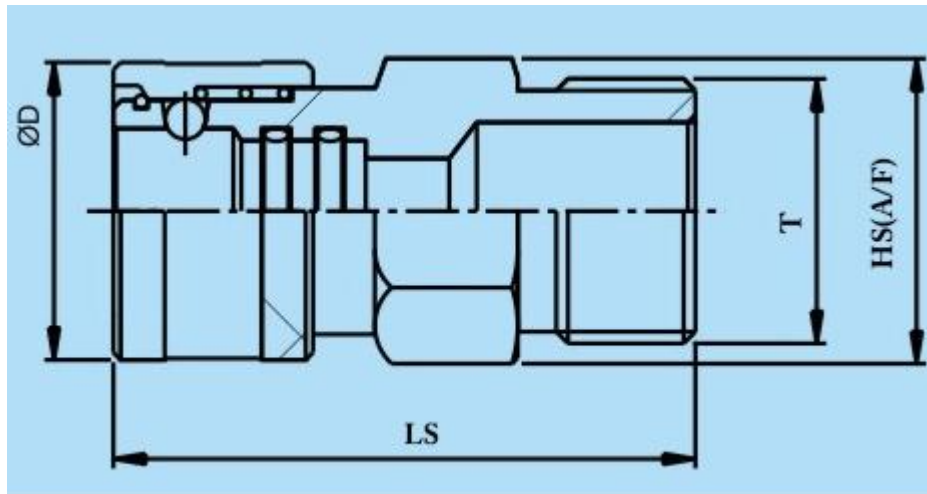
Key personnel : Mr. Anil Gupta, President



Gas-Air-Steam Flow Quick Release Couplings Technical Specifications



Coupling Socket Male - straight through



Coupling Socket Male - straight through

Serial No.	Straight Through Coupling Socket (M) Size	ØD	HS	LS
1	1/4"	29.0	22.0	39.0
2	3/8"	29.0	22.0	39.0
3	1/2"	34.0	32.0	51.8
4	3/4"	38.0	32.0	50.0
5	1"	51.0	41.0	72.0
6	1-1/4"	62.5	55.0	82.0
7	1-1/2"	62.5	55.0	82.0
8	2"	78.0	70.0	87.0
9	2-1/2"	124.5	114.0	103.8
10	3"	124.5	114.0	103.8

All dimensions are in mm ; dimensions subject to change without notice please.



Contact For Quote:

HIC INTERNATIONAL CO. (Industrial Valve Products Quick Coupling Div.)

D-136, Shankar Road, New Delhi - 110060, India

Phone: 91-11-6547 2400, 2874 5120

Fax: 91-11-2874 2791

E-mail : universal@hic-india.com; belts@universaldelhi.org

Website : <http://www.rubber-steel-industrial-products.com>

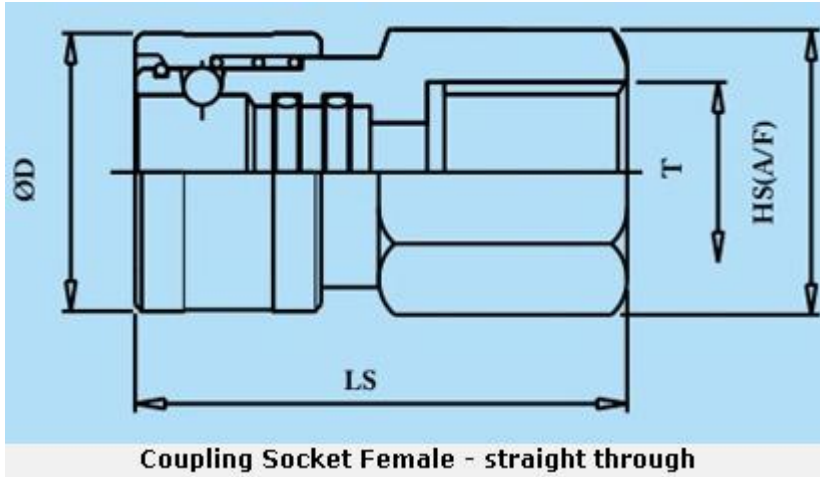
Key personnel : Mr. Anil Gupta, President



**Gas-Air-Steam
Flow Quick Release
Couplings Technical
Specifications**



Coupling Socket Female - straight through



Serial No.	Straight Through Coupling Socket (F) Size	ØD	HS	LS
1	1/4"	29.0	22.0	39.0
2	3/8"	29.0	22.0	39.0
3	1/2"	34.0	32.0	44.3
4	3/4"	38.0	32.0	41.0
5	1"	51.0	41.0	53.0
6	1-1/4"	62.5	55.0	64.0
7	1-1/2"	62.5	55.0	64.0
8	2"	78.0	70.0	65.5
9	2-1/2"	124.5	114.0	80.5
10	3"	124.5	114.0	80.5

All dimensions are in mm ; dimensions subject to change without notice please.



Contact For Quote:

HIC INTERNATIONAL CO. (Industrial Valve Products Quick Coupling Div.)

D-136, Shankar Road, New Delhi - 110060, India

Phone: 91-11-6547 2400, 2874 5120

Fax: 91-11-2874 2791

E-mail : universal@hic-india.com; belts@universaldelhi.org

Website : <http://www.rubber-steel-industrial-products.com>

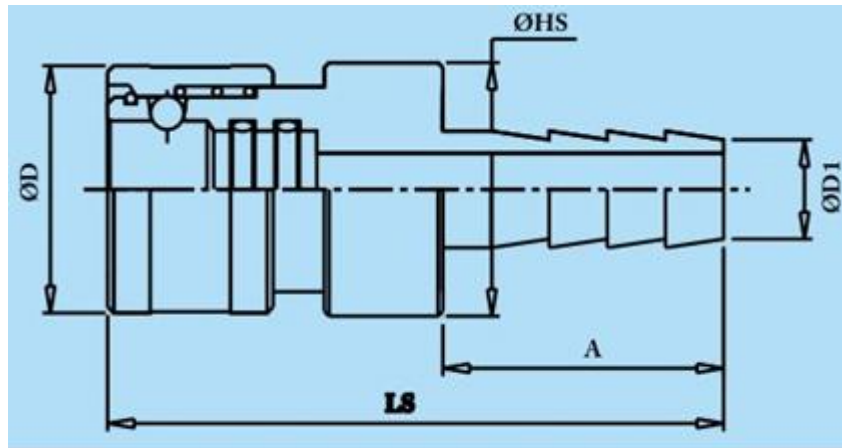
Key personnel : Mr. Anil Gupta, President



**Gas-Air-Steam
Flow Quick Release
Couplings Technical
Specifications**



Coupling Socket Hose - straight through



Coupling Socket Hose - straight through

Serial No.	Straight Through Coupling Hose Socket Size	ØD	ØHS	ØD1	A	LS
1	1/4"	29.0	24.0	6.8	28.0	52.0
2	3/8"	29.0	24.0	10.5	29.8	53.8
3	1/2"	34.0	32.0	15.0	38.0	67.3
4	3/4"	38.0	34.2	21.0	45.0	79.0
5	1"	51.0	49.0	27.5	57.0	98.0
6	1-1/4"	62.5	62.5	33.5	60.3	110.3
7	1-1/2"	62.5	62.5	39.5	60.3	110.3
8	2"	78.0	76.2	53.0	73.0	124.0
9	2-1/2"	124.5	120.0	65.5	80.0	140.0
10	3"	124.5	120.0	78.1	100.0	160.0

All dimensions are in mm ; dimensions subject to change without notice please.



Contact For Quote:

HIC INTERNATIONAL CO. (Industrial Valve Products Quick Coupling Div.)

D-136, Shankar Road, New Delhi - 110060, India

Phone: 91-11-6547 2400, 2874 5120

Fax: 91-11-2874 2791

E-mail : universal@hic-india.com; belts@universaldelhi.org

Website : <http://www.rubber-steel-industrial-products.com>

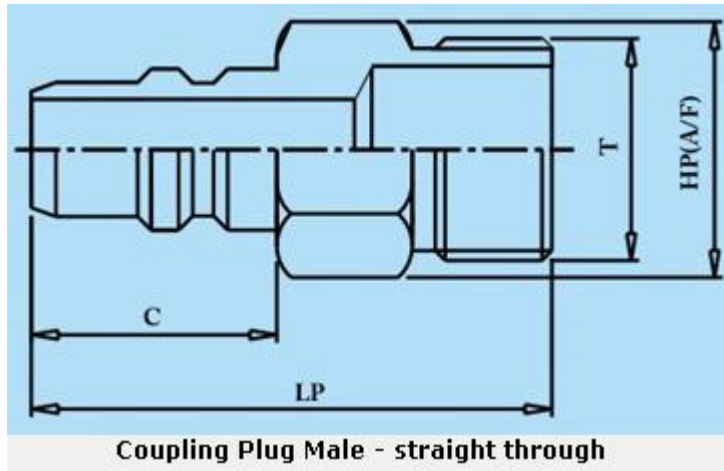
Key personnel : Mr. Anil Gupta, President



**Gas-Air-Steam
Flow Quick Release
Couplings Technical
Specifications**



Coupling Plug Male - straight through



Serial No.	Straight Through Coupling Plug Size Male	HP	C	LP
1	1/4"	17.0	22.5	42.5
2	3/8"	17.0	22.5	42.5
3	1/2"	22.0	25.5	49.5
4	3/4"	27.0	23.0	49.0
5	1"	37.0	31.5	66.5
6	1-1/4"	50.0	33.0	72.0
7	1-1/2"	50.0	33.0	72.0
8	2"	65.0	39.0	83.0
9	2-1/2"	114.0	35.0	98.0
10	3"	114.0	35.0	98.0

All dimensions are in mm ; dimensions subject to change without notice please.



Contact For Quote:

HIC INTERNATIONAL CO. (Industrial Valve Products Quick Coupling Div.)

D-136, Shankar Road, New Delhi - 110060, India

Phone: 91-11-6547 2400, 2874 5120

Fax: 91-11-2874 2791

E-mail : universal@hic-india.com; belts@universaldelhi.org

Website : <http://www.rubber-steel-industrial-products.com>

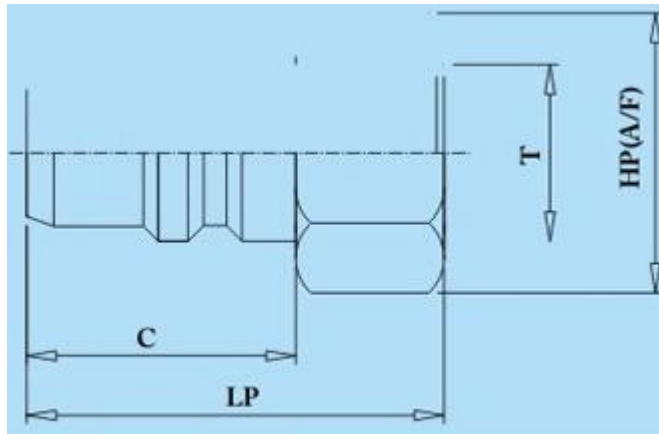
Key personnel : Mr. Anil Gupta, President



**Gas-Air-Steam
Flow Quick Release
Couplings Technical
Specifications**



Coupling Plug Female - straight through



Coupling Plug Female - straight through

Serial No.	Straight Through Coupling Plug Size Female	HP	C	LP
1	1/4"	17.0	22.5	37.5
2	3/8"	22.0	22.5	37.5
3	1/2"	27.0	25.5	43.5
4	3/4"	32.0	23.0	42.0
5	1"	41.0	31.5	53.5
6	1-1/4"	55.0	33.0	60.0
7	1-1/2"	55.0	33.0	60.0
8	2"	70.0	39.0	67.0
9	2-1/2"	114.0	35.0	72.0
10	3"	114.0	35.0	72.0

All dimensions are in mm ; dimensions subject to change without notice please.



Contact For Quote:

HIC INTERNATIONAL CO. (Industrial Valve Products Quick Coupling Div.)

D-136, Shankar Road, New Delhi - 110060, India

Phone: 91-11-6547 2400, 2874 5120

Fax: 91-11-2874 2791

E-mail : universal@hic-india.com; belts@universaldelhi.org

Website : <http://www.rubber-steel-industrial-products.com>

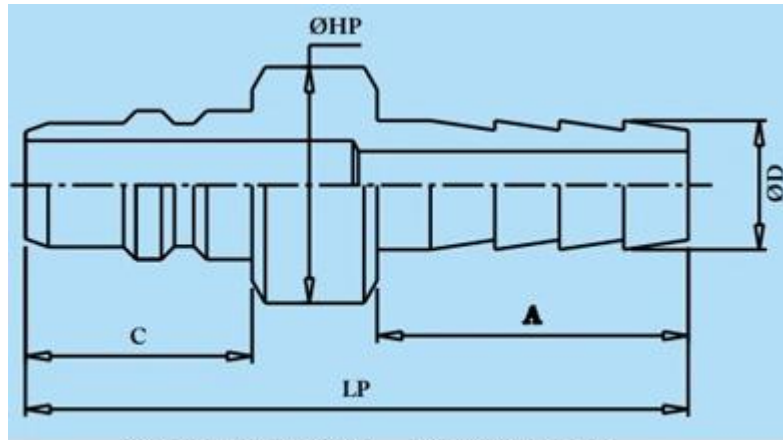
Key personnel : Mr. Anil Gupta, President



Gas-Air-Steam Flow Quick Release Couplings Technical Specifications



Coupling Plug Hose - straight through



Coupling Plug Hose - straight through

Serial No.	Straight Through Coupling Hose Plug Size	ØHP	OD	A	C	LP
1	1/4"	17.0	6.8	28.0	22.5	54.5
2	3/8"	17.0	10.5	29.8	22.5	56.3
3	1/2"	22.0	15.0	38.0	25.5	66.5
4	3/4"	25.4	21.0	45.0	23.0	72.0
5	1"	38.0	27.5	57.1	31.5	94.6
6	1-1/4"	50.0	33.5	60.3	33.0	99.3
7	1-1/2"	50.0	39.5	60.3	33.0	99.3
8	2"	62.5	53.0	73.0	39.0	120.0
9	2-1/2"	99.5	65.5	80.0	35.0	135.0
10	3"	99.5	78.1	100.0	35.0	155.0

All dimensions are in mm ; dimensions subject to change without notice please.



Contact For Quote:

HIC INTERNATIONAL CO. (Industrial Valve Products Quick Coupling Div.)

D-136, Shankar Road, New Delhi - 110060, India

Phone: 91-11-6547 2400, 2874 5120

Fax: 91-11-2874 2791

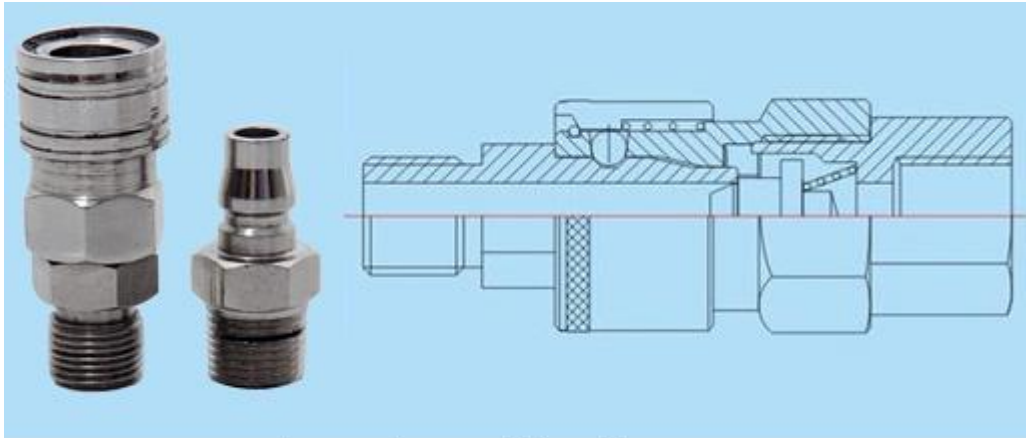
E-mail : universal@hic-india.com; belts@universaldelhi.org

Website : <http://www.rubber-steel-industrial-products.com>

Key personnel : Mr. Anil Gupta, President

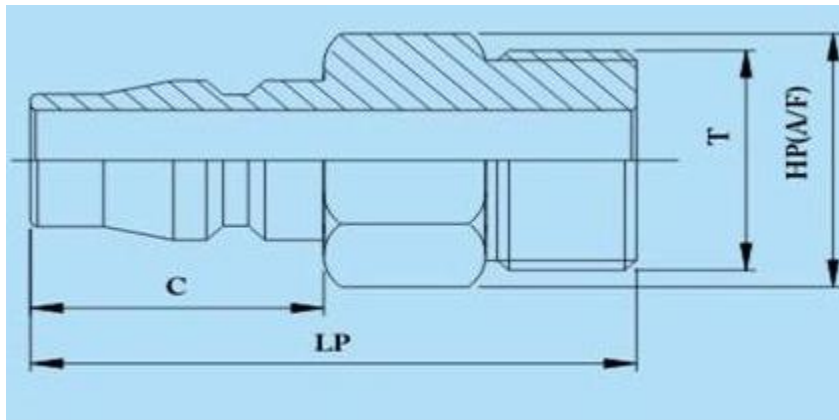


Gas-Air-Steam Flow Quick Release Couplings Technical Specifications



Air Couplings Quick Release-SV 10

Quick Coupling Plug Male pneumatic-SV 10



Quick Coupling Plug Male pneumatic-SV 10

Contact For Quote:

HIC INTERNATIONAL CO. (Industrial Valve Products Quick Coupling Div.)

D-136, Shankar Road, New Delhi - 110060, India

Phone: 91-11-6547 2400, 2874 5120

Fax: 91-11-2874 2791

E-mail : universal@hic-india.com; belts@universaldelhi.org

Website : <http://www.rubber-steel-industrial-products.com>

Key personnel : Mr. Anil Gupta, President



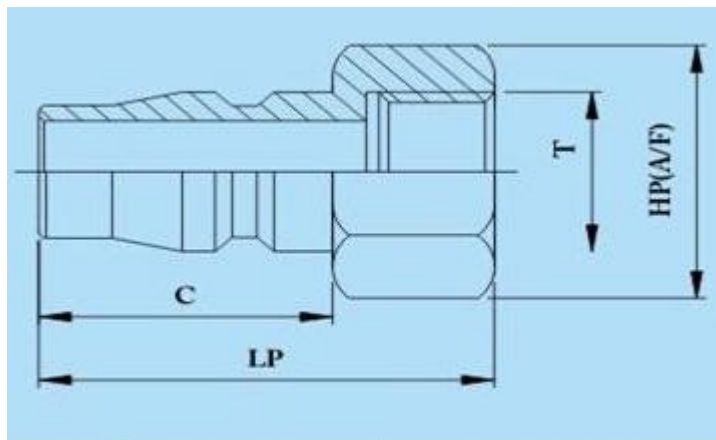
Gas-Air-Steam Flow Quick Release Couplings Technical Specifications



Serial No.	Quick Pneumatic Coupling Plug Size Male (SV 10)	HP	C	LP
1	1/4"	14.0	20.0	40.0
2	3/8"	23.0	20.0	41.0
3	1/2"	23.0	20.0	46.0
4	1/2"	23.0	23.5	50.0
5	3/4"	32.0	23.5	55.0
6	1"	35.0	23.5	63.0

All dimensions are in mm ; dimensions subject to change without notice please.

Quick Coupling Plug Female pneumatic-SV 10



Quick Coupling Plug Female pneumatic-SV 10



Contact For Quote:

HIC INTERNATIONAL CO. (Industrial Valve Products Quick Coupling Div.)

D-136, Shankar Road, New Delhi - 110060, India

Phone: 91-11-6547 2400, 2874 5120

Fax: 91-11-2874 2791

E-mail : universal@hic-india.com; belts@universaldelhi.org

Website : <http://www.rubber-steel-industrial-products.com>

Key personnel : Mr. Anil Gupta, President



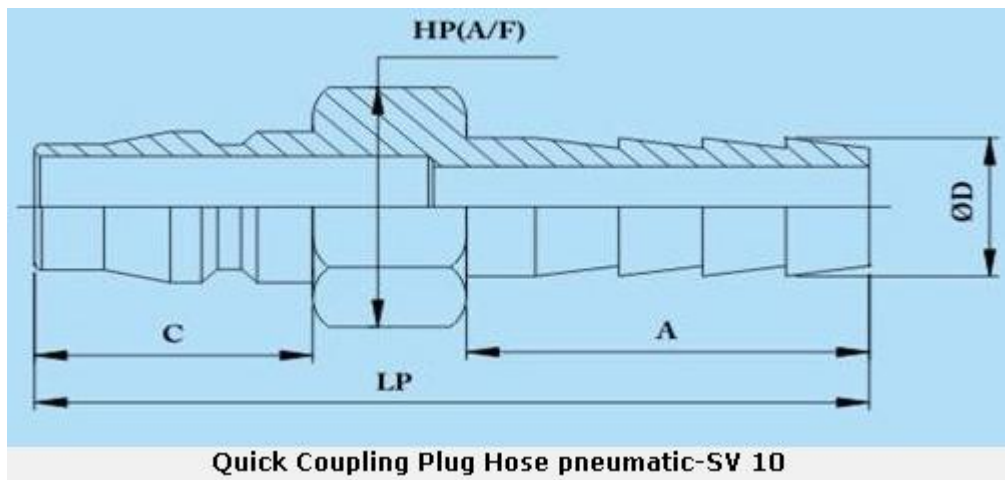
Gas-Air-Steam Flow Quick Release Couplings Technical Specifications



Serial No.	Quick Pneumatic Coupling Plug Size Female (SV 10)	HP	C	LP
1	1/4"	17.0	20.0	35.0
2	3/8"	21.0	20.0	36.0
3	1/2"	24.0	20.0	39.0
4	1/2"	29.0	23.5	41.0
5	3/4"	35.0	23.5	45.0
6	1"	41.0	23.5	54.0

All dimensions are in mm ; dimensions subject to change without notice please.

Quick Coupling Plug Hose pneumatic-SV 10



Contact For Quote:

HIC INTERNATIONAL CO. (Industrial Valve Products Quick Coupling Div.)

D-136, Shankar Road, New Delhi - 110060, India

Phone: 91-11-6547 2400, 2874 5120

Fax: 91-11-2874 2791

E-mail : universal@hic-india.com; belts@universaldelhi.org

Website : <http://www.rubber-steel-industrial-products.com>

Key personnel : Mr. Anil Gupta, President



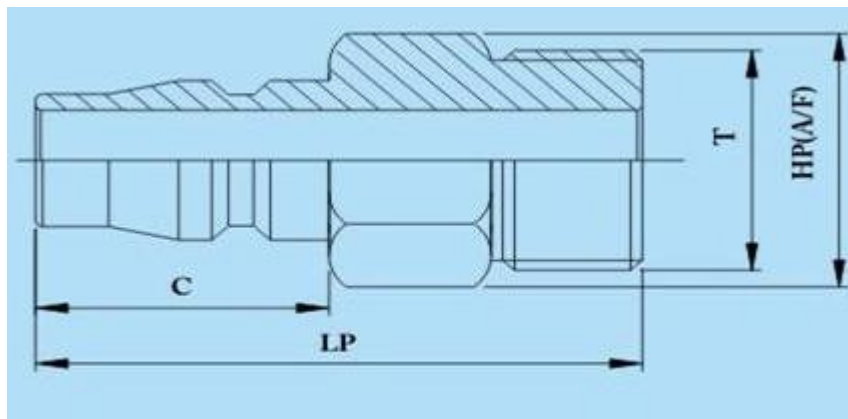
Gas-Air-Steam Flow Quick Release Couplings Technical Specifications



Serial No.	Quick Pneumatic Coupling Hose Plug Size (SV 10)	HP	C	A	LP
1	1/4"	16.0	20.0	30.0	55.0
2	3/8"	18.0	20.0	30.0	55.0
3	1/2"	18.0	20.0	32.0	57.0
4	1/2"	22.0	23.5	35.0	65.0
5	3/4"	30.0	23.5	43.0	73.0
6	1"	34.0	23.5	50.0	81.0

All dimensions are in mm ; dimensions subject to change without notice please.

Quick Coupling Socket Male pneumatic -SV 10



Quick Coupling Socket Male pneumatic-SV 10



Contact For Quote:

HIC INTERNATIONAL CO. (Industrial Valve Products Quick Coupling Div.)

D-136, Shankar Road, New Delhi - 110060, India

Phone: 91-11-6547 2400, 2874 5120

Fax: 91-11-2874 2791

E-mail : universal@hic-india.com; belts@universaldelhi.org

Website : <http://www.rubber-steel-industrial-products.com>

Key personnel : Mr. Anil Gupta, President



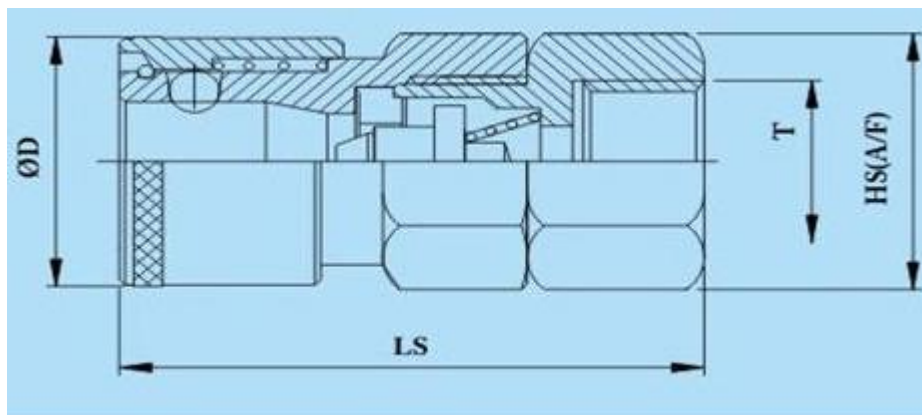
Gas-Air-Steam Flow Quick Release Couplings Technical Specifications



Serial No.	Quick Pneumatic Coupling Male Socket Size (SV 10)	HS	ØD	LS
1	1/4"	19.0	25.0	51.5
2	3/8"	19.0	25.0	52.5
3	1/2"	22.0	25.0	53.5
4	1/2"	29.0	35.0	64.0
5	3/4"	32.0	35.0	66.0
6	1"	36.0	35.0	71.0

All dimensions are in mm ; dimensions subject to change without notice please.

Quick Coupling Socket Female pneumatic-SV 10



Quick Coupling Socket Female pneumatic-SV 10



Contact For Quote:

HIC INTERNATIONAL CO. (Industrial Valve Products Quick Coupling Div.)

D-136, Shankar Road, New Delhi - 110060, India

Phone: 91-11-6547 2400, 2874 5120

Fax: 91-11-2874 2791

E-mail : universal@hic-india.com; belts@universaldelhi.org

Website : <http://www.rubber-steel-industrial-products.com>

Key personnel : Mr. Anil Gupta, President



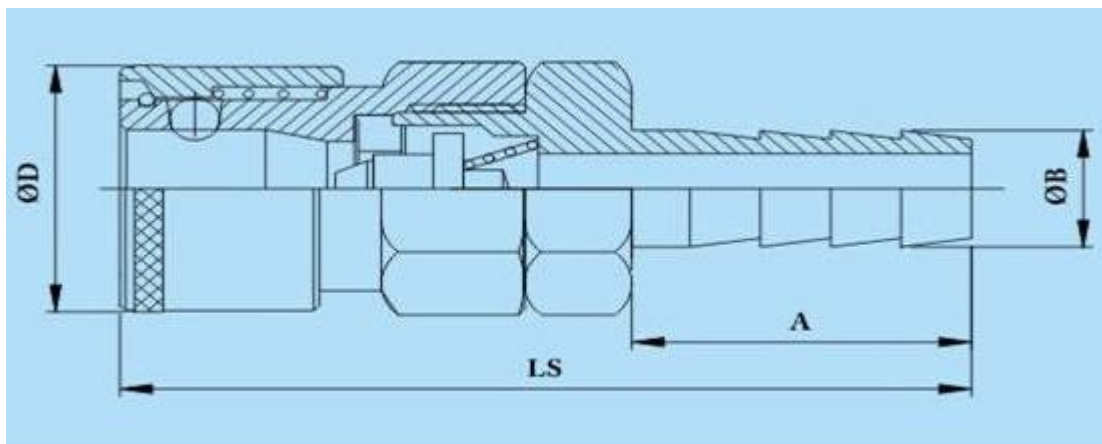
Gas-Air-Steam Flow Quick Release Couplings Technical Specifications



Serial No.	Quick Pneumatic Coupling Female Socket Size (SV 10)	HS	ØD	LS
1	1/4"	19.0	25.0	48.5
2	3/8"	21.0	25.0	49.5
3	1/2"	24.0	25.0	51.0
4	1/2"	29.0	35.0	62.0
5	3/4"	32.0	35.0	64.0
6	1"	41.0	35.0	68.0

All dimensions are in mm ; dimensions subject to change without notice please.

Quick Coupling Socket Hose pneumatic -SV 10



Quick Coupling Socket Hose pneumatic-SV 10



Contact For Quote:

HIC INTERNATIONAL CO. (Industrial Valve Products Quick Coupling Div.)

D-136, Shankar Road, New Delhi - 110060, India

Phone: 91-11-6547 2400, 2874 5120

Fax: 91-11-2874 2791

E-mail : universal@hic-india.com; belts@universaldelhi.org

Website : <http://www.rubber-steel-industrial-products.com>

Key personnel : Mr. Anil Gupta, President

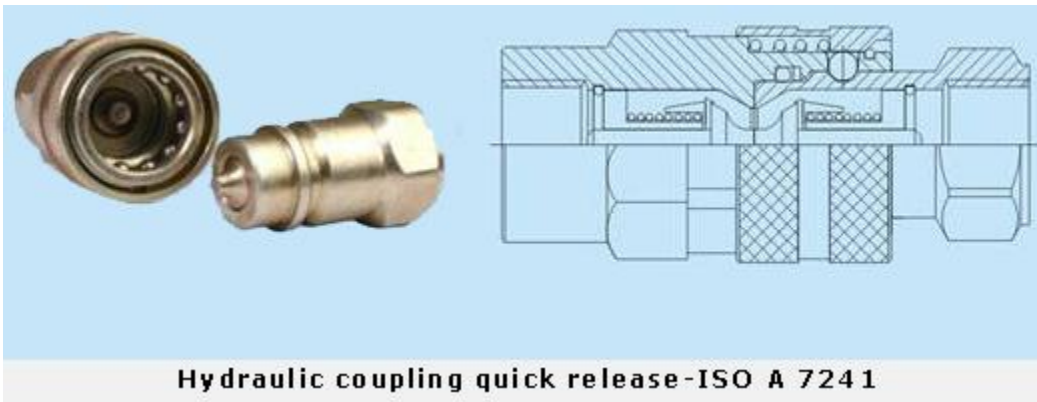


Gas-Air-Steam Flow Quick Release Couplings Technical Specifications



Serial No.	Quick Pneumatic Coupling Hose Socket Size (SV 10)	ØD	A	LS
1	1/4"	25.0	30.0	67.5
2	3/8"	25.0	30.0	67.5
3	1/2"	25.0	32.0	70.5
4	1/2"	35.0	36.0	83.0
5	3/4"	35.0	45.0	91.0
6	1"	35.0	55.0	97.0

All dimensions are in mm ; dimensions subject to change without notice please.



Contact For Quote:

HIC INTERNATIONAL CO. (Industrial Valve Products Quick Coupling Div.)

D-136, Shankar Road, New Delhi - 110060, India

Phone: 91-11-6547 2400, 2874 5120

Fax: 91-11-2874 2791

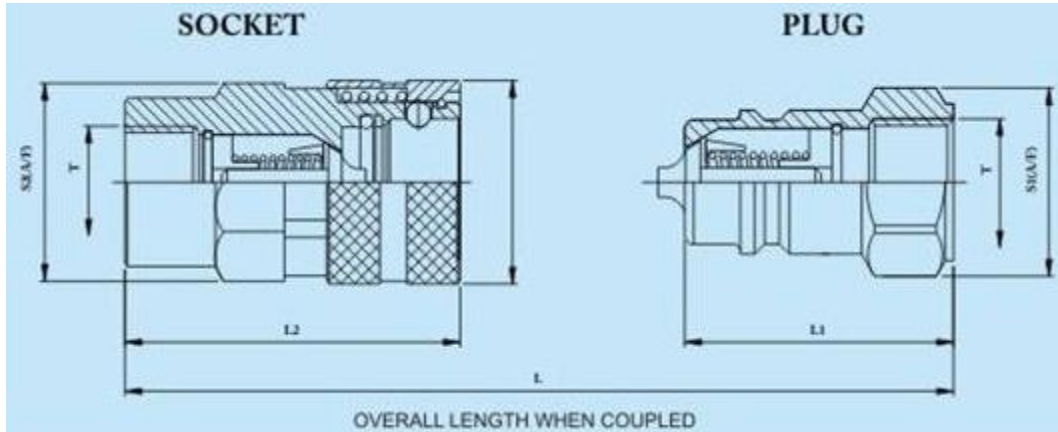
E-mail : universal@hic-india.com; belts@universaldelhi.org

Website : <http://www.rubber-steel-industrial-products.com>

Key personnel : Mr. Anil Gupta, President



Gas-Air-Steam Flow Quick Release Couplings Technical Specifications



Quick Coupling ISO A 7241 hydraulic

Serial No.	Hydraulic Quick Coupling ISO A 7241 Size	L1	L2	S1	S2	ØD1	L
1	1/4"	32.0	47.0	19.0	19.0	26.0	64.8
2	3/8"	38.0	56.0	22.0	27.0	31.0	76.4
3	1/2"	46.0	67.2	27.0	32.0	38.0	91.0
4	3/4"	55.0	82.0	36.0	38.0	48.0	109.4
5	1"	63.0	97.0	41.0	46.0	54.0	126.0

All dimensions are in mm ; dimensions subject to change without notice please.



Hydraulic High Pressure Quick Couplings -HP

Contact For Quote:

HIC INTERNATIONAL CO. (Industrial Valve Products Quick Coupling Div.)

D-136, Shankar Road, New Delhi - 110060, India

Phone: 91-11-6547 2400, 2874 5120

Fax: 91-11-2874 2791

E-mail : universal@hic-india.com; belts@universaldelhi.org

Website : <http://www.rubber-steel-industrial-products.com>

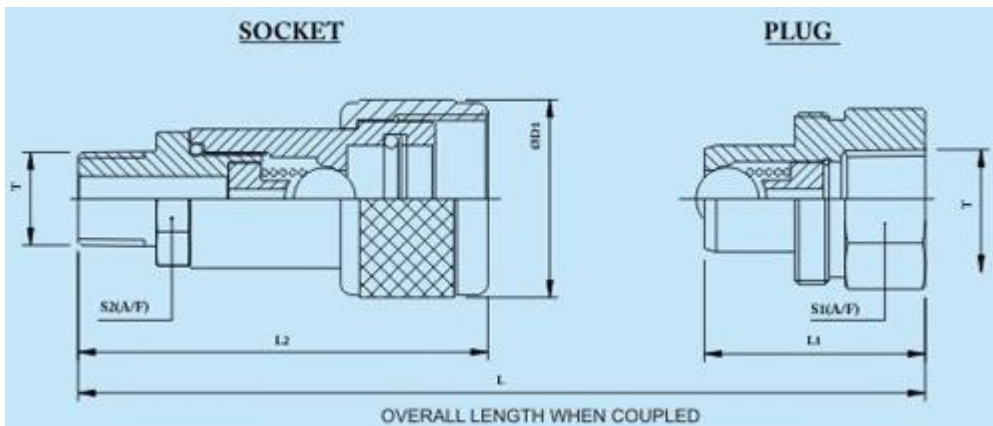
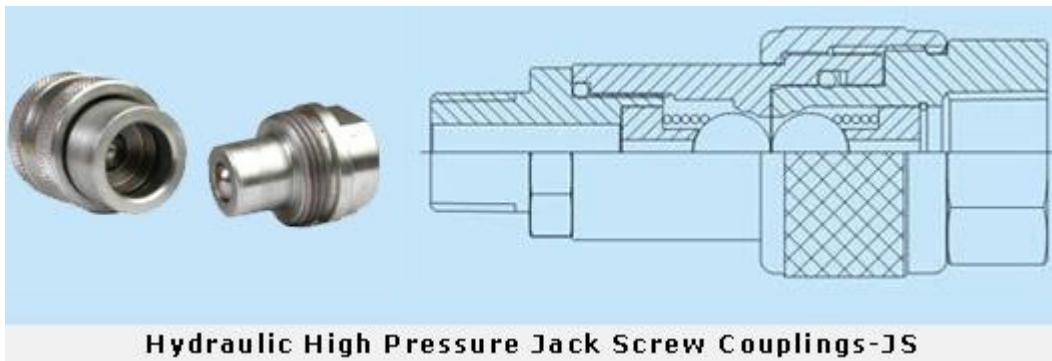
Key personnel : Mr. Anil Gupta, President



Gas-Air-Steam Flow Quick Release Couplings Technical Specifications



SPECIFICATIONS	High Pressure Quick Coupling Range
Size	1/4" to 3/4"
Working Pressure	Upto 980 Bar
Material	Carbon Steel



Contact For Quote:

HIC INTERNATIONAL CO. (Industrial Valve Products Quick Coupling Div.)

D-136, Shankar Road, New Delhi - 110060, India

Phone: 91-11-6547 2400, 2874 5120

Fax: 91-11-2874 2791

E-mail : universal@hic-india.com; belts@universaldelhi.org

Website : <http://www.rubber-steel-industrial-products.com>

Key personnel : Mr. Anil Gupta, President

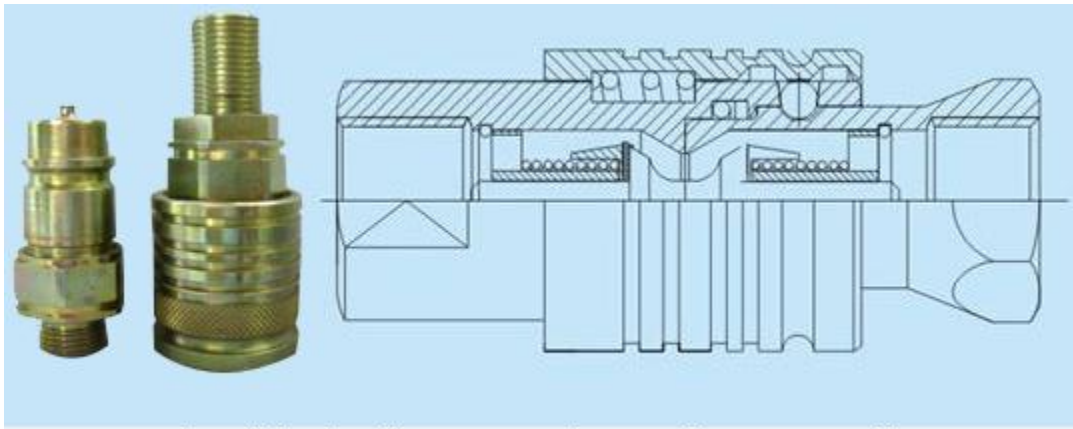


Gas-Air-Steam Flow Quick Release Couplings Technical Specifications

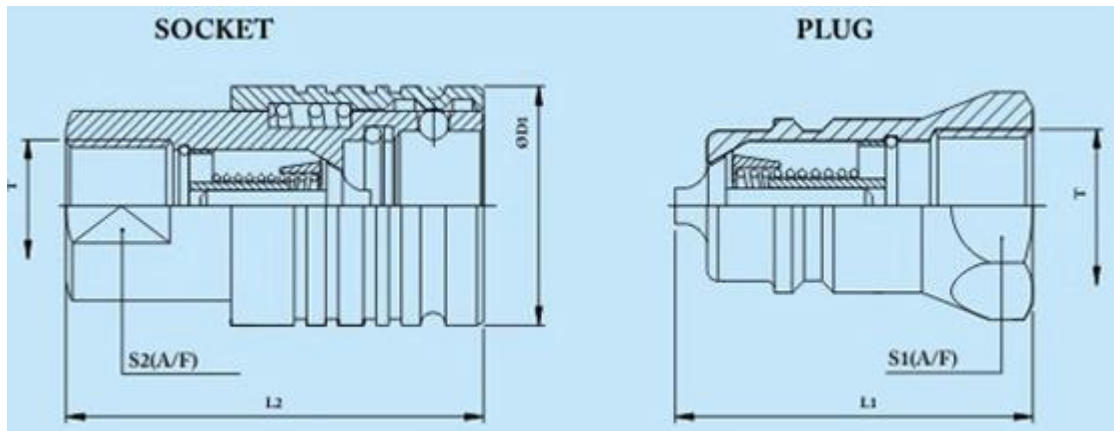


Serial No.	High Pressure Jack Screw Coupling Size	L1	L2	S1	S2	ØD1	L
1	1/4"	39.0	60.0	27.0	19.0	30.0	81.0
2	3/8"	39.0	73.5	32.0	24.0	35.0	87.0

All dimensions are in mm ; dimensions subject to change without notice please.



Push Pull hydraulic construction equipment couplings



Contact For Quote:

HIC INTERNATIONAL CO. (Industrial Valve Products Quick Coupling Div.)

D-136, Shankar Road, New Delhi - 110060, India

Phone: 91-11-6547 2400, 2874 5120

Fax: 91-11-2874 2791

E-mail : universal@hic-india.com; belts@universaldelhi.org

Website : <http://www.rubber-steel-industrial-products.com>

Key personnel : Mr. Anil Gupta, President





Gas-Air-Steam Flow Quick Release Couplings Technical Specifications



Push Pull Male Plug With Female Thread

Serial No.	Push Pull Coupling Male Plug Size	L1	S1
1	3/8" NPTF	40.6	24.0
2	1/2" NPTF	49.5	27.0

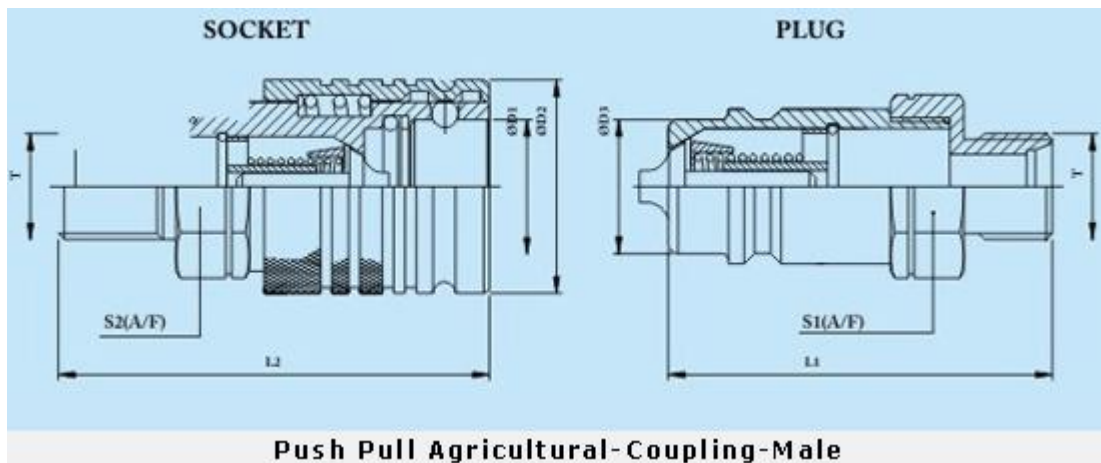
All dimensions are in mm ; dimensions subject to change without notice please.

Push Pull Female Socket With Female Thread

Serial No.	Push Pull Coupling Female Socket Size	L2	ØD1	S2
1	3/8" NPTF	58.7	33.3	20.6
2	1/2" NPTF	68.0	38.0	24.0

All dimensions are in mm ; dimensions subject to change without notice please.

Push Pull Agricultural-Coupling-Male



Contact For Quote:

HIC INTERNATIONAL CO. (Industrial Valve Products Quick Coupling Div.)

D-136, Shankar Road, New Delhi - 110060, India

Phone: 91-11-6547 2400, 2874 5120

Fax: 91-11-2874 2791

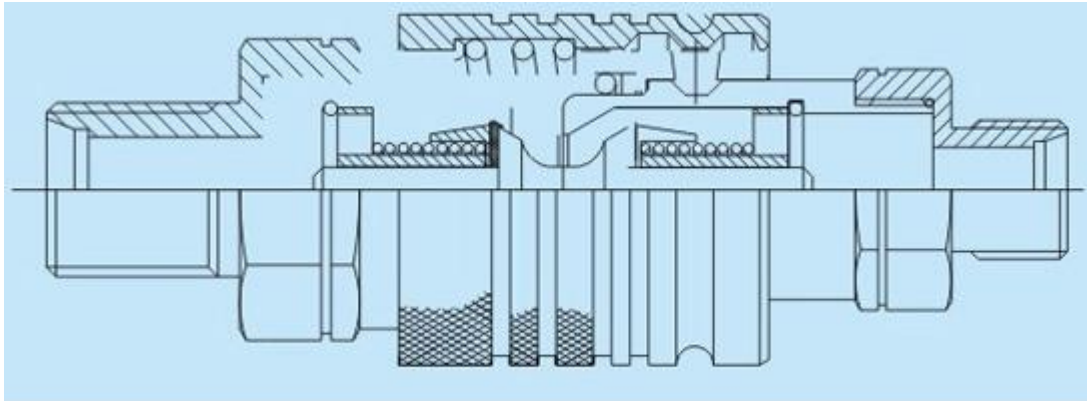
E-mail : universal@hic-india.com; belts@universaldelhi.org

Website : <http://www.rubber-steel-industrial-products.com>

Key personnel : Mr. Anil Gupta, President



**Gas-Air-Steam
Flow Quick Release
Couplings Technical
Specifications**



Push Pull Agricultural-Coupling-Male

Push Pull Agricultural Male Plug With Female Thread

Serial No.	Push Pull Coupling Male Plug Female Thread Size	L1	ØD3	S1
1	18 x 1.5	68.0	20.5	27.0
2	22 x 1.5	68.0	20.5	27.0
3	22 x 1.5(Short)	56.0	20.5	27.0

All dimensions are in mm ; dimensions subject to change without notice please.

Push Pull Agricultural Female Socket With Female Thread

Serial No.	Push Pull Coupling Female Socket Female Thread Size	L2	ØD1	ØD1	S2
1	1/4" BSP		23.9	38.0	27.0
2	3/8" BSP		23.9	38.0	27.0
3	1/2" BSP		23.9	38.0	27.0
4	18 x 1.5	84.0	23.9	38.0	27.0
5	22 x 1.5	84.0	23.9	38.0	27.0
6	22 x 1.5(Short)	72.0	23.9	38.0	27.0

All dimensions are in mm ; dimensions subject to change without notice please.



Contact For Quote:

HIC INTERNATIONAL CO. (Industrial Valve Products Quick Coupling Div.)

D-136, Shankar Road, New Delhi - 110060, India

Phone: 91-11-6547 2400, 2874 5120

Fax: 91-11-2874 2791

E-mail : universal@hic-india.com; belts@universaldelhi.org

Website : <http://www.rubber-steel-industrial-products.com>

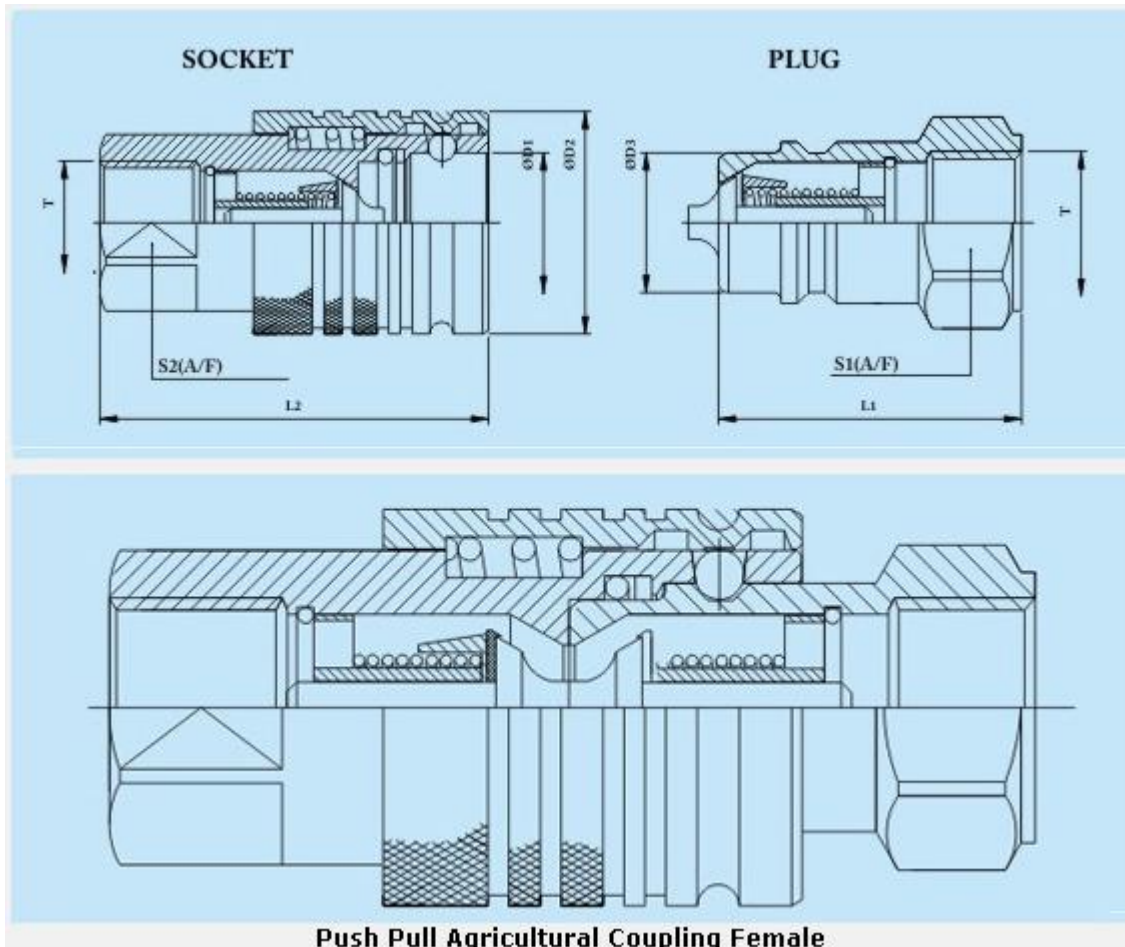
Key personnel : Mr. Anil Gupta, President



Gas-Air-Steam Flow Quick Release Couplings Technical Specifications



Push Pull Agricultural Coupling Female



Contact For Quote:

HIC INTERNATIONAL CO. (Industrial Valve Products Quick Coupling Div.)

D-136, Shankar Road, New Delhi - 110060, India

Phone: 91-11-6547 2400, 2874 5120

Fax: 91-11-2874 2791

E-mail : universal@hic-india.com; belts@universaldelhi.org

Website : <http://www.rubber-steel-industrial-products.com>

Key personnel : Mr. Anil Gupta, President



Gas-Air-Steam Flow Quick Release Couplings Technical Specifications



Push Pull Agricultural Male Plug With Female Thread

Serial No.	Push Pull Coupling Male Plug Female Thread Size	L1	ØD3	S1
1	1/2" BSP	46.0	20.5	27.0
2	18 x 1.5	57.0	20.5	30.0
3	22 x 1.5	57.0	20.5	30.0
4	7/8" - 14 UNF	58.0	20.5	30.0
5	3/4" - 16 UNF	58.0	20.5	30.0

All dimensions are in mm ; dimensions subject to change without notice please.

Push Pull Agricultural Female Socket With Female Thread

Serial No.	Push Pull Coupling Female Socket Female Thread Size	L2	ØD1	ØD1	S2
1	1/2" BSP	66.0	23.9	38.0	27.0
2	18 x 1.5	73.0	23.9	38.0	30.0
3	22 x 1.5	73.0	23.9	38.0	30.0
4	7/8" - 14 UNF	74.0	23.9	38.0	30.0
5	3/4" - 16 UNF	74.0	23.9	38.0	30.0
6	3/4" - 16 UNF	83.2	23.9	38.0	27.0

All dimensions are in mm ; dimensions subject to change without notice please.



Trailer Break ISO 5675 agricultural farm equipment quick couplings



Contact For Quote:

HIC INTERNATIONAL CO. (Industrial Valve Products Quick Coupling Div.)

D-136, Shankar Road, New Delhi - 110060, India

Phone: 91-11-6547 2400, 2874 5120

Fax: 91-11-2874 2791

E-mail : universal@hic-india.com; belts@universaldelhi.org

Website : <http://www.rubber-steel-industrial-products.com>

Key personnel : Mr. Anil Gupta, President



Gas-Air-Steam Flow Quick Release Couplings Technical Specifications

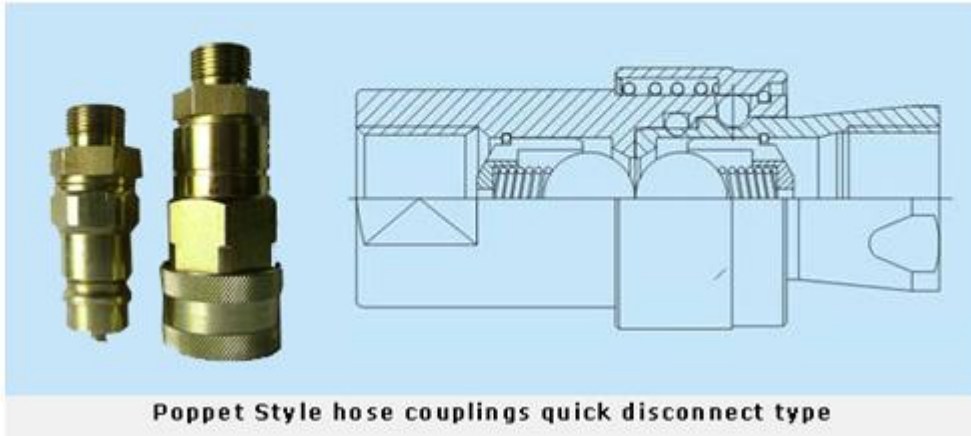


SPECIFICATIONS-Trailer Break agricultural couplings

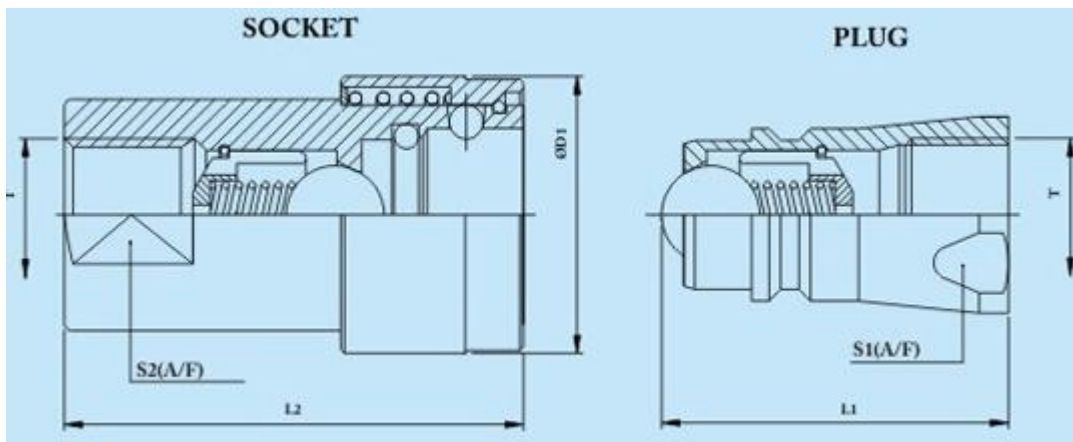
Conforms to ISO - 5675 / 7241 A

End Fittings BSP / NPT / UNF

Connectors as required



Poppet Style hose couplings quick disconnect type



Contact For Quote:

HIC INTERNATIONAL CO. (Industrial Valve Products Quick Coupling Div.)

D-136, Shankar Road, New Delhi - 110060, India

Phone: 91-11-6547 2400, 2874 5120

Fax: 91-11-2874 2791

E-mail : universal@hic-india.com; belts@universaldelhi.org

Website : <http://www.rubber-steel-industrial-products.com>

Key personnel : Mr. Anil Gupta, President



Gas-Air-Steam Flow Quick Release Couplings Technical Specifications



Poppet Style Agricultural Coupling Male Plug with Female Thread

Serial No.	Poppet Type Coupling Male Plug Female Thread Size	L1	S1
1	1/4" NPTF	33.3	19.0
2	3/8" NPTF	41.0	24.0
3	1/2" NPTF	48.4	27.0
4	3/4" NPTF	46.0	33.3
5	1" NPTF	71.0	41.5

All dimensions are in mm ; dimensions subject to change without notice please.

Poppet Style Agricultural Coupling Female Socket With Female Thread

Serial No.	Poppet Type Coupling Female Socket Female Thread Size	L2	ØD1	S2
1	1/4" NPTF	49.3	27.0	22.5
2	3/8" NPTF	59.0	34.0	24.0
3	1/2" NPTF	68.0	38.0	27.0
4	3/4" NPTF	89.0	48.3	35.0
5	1" NPTF	97.6	53.0	41.5

All dimensions are in mm ; dimensions subject to change without notice please.

Coupling Quick Release Information To Be Supplied With Enquiry or Order

1. ORC type, say through type & so on.
2. Size i.e. 1/8" or 3/4" & so on.
3. Body material i.e. carbon steel or SS316 & so on.
4. Spring material i.e. SS304 or SS316 & so on.
5. Ball material i.e. SS304 or SS316L & so on.
6. Seal material i.e. nitrile rubber or silicon or viton & so on.
7. Coupler style & configuration i.e. male thread or female thread or hose & type BSP or NPT.
8. Adaptor Style & configuration.
9. Working pressure in psi or Kg/cm².
10. Temp. range.
11. Application.
12. Quantity in numbers



Contact For Quote:

HIC INTERNATIONAL CO. (Industrial Valve Products Quick Coupling Div.)

D-136, Shankar Road, New Delhi - 110060, India

Phone: 91-11-6547 2400, 2874 5120

Fax: 91-11-2874 2791

E-mail : universal@hic-india.com; belts@universaldelhi.org

Website : <http://www.rubber-steel-industrial-products.com>

Key personnel : Mr. Anil Gupta, President



Gas-Air-Steam Flow Quick Release Couplings Technical Specifications



Works on simple principle, 'Push & Pull' - Requires no threading, no twisting, no twisting, no tools, no strains. Fast connections without sweats.

*** Manufacture of other type & style undertaken for which please send old used specimen sample and details as indicated in min. information required while sending enquiry be sent.**

Disclaimer: Information's, written and verbal are provided by HIC, relative to its products which it determines to be reliable & no liabilities of whatsoever nature in regards to its us es. The purchaser of UNIVERSAL brand industrial products should determine for itself t he suitability of such products.



Contact For Quote:

HIC INTERNATIONAL CO. (Industrial Valve Products Quick Coupling Div.)

D-136, Shankar Road, New Delhi - 110060, India

Phone: 91-11-6547 2400, 2874 5120

Fax: 91-11-2874 2791

E-mail : universal@hic-india.com; belts@universaldelhi.org

Website : <http://www.rubber-steel-industrial-products.com>

Key personnel : Mr. Anil Gupta, President